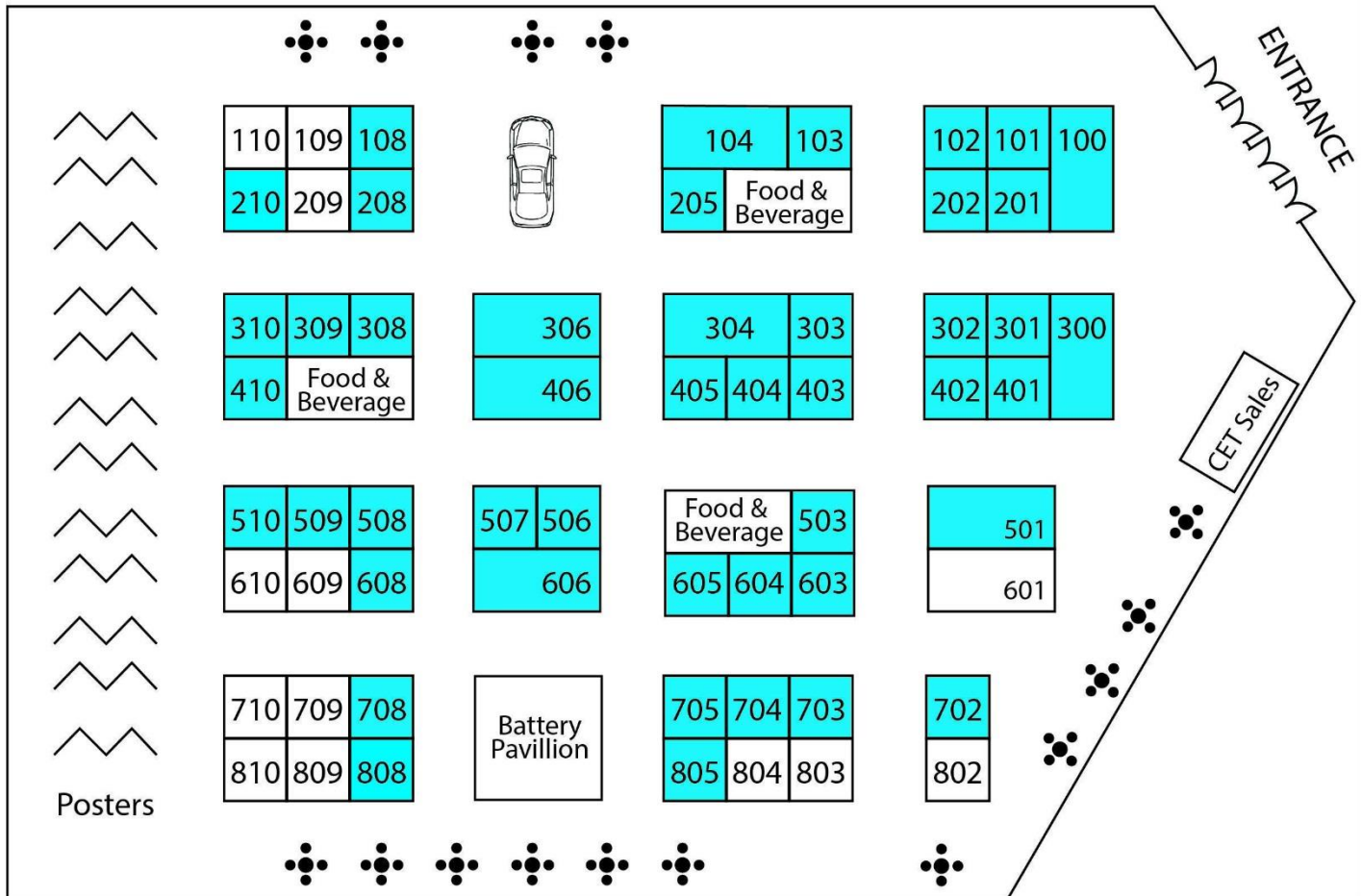


Exhibits: 29 – 31 January 2019
Strasbourg Convention + Exhibition Centre



**Floor plan subject to change.*

*****Please scroll to next page for list of exhibitors.**

Company	Booth		
AEM Components (USA), Inc.	410	NDC Technologies	805
ALABC	405	NETZSCH Feinmahltechnik GmbH	708
Arbin Instruments	202	Neware Technology Ltd. – Pending Agreement	210
Arkema	604	Novonix	605
Armor	506	PEC North America	403
Asahi Kasei Europe GmbH/Celgard	606	PPG	603
Autoliv, Inc.	702	Proventia Oy – Test Solutions	808
Bio-Logic	300	Pyrotek	402
Bitrode Corporation	108	Roskill	308
Bühler AG	401	Solvay	201
Cabot Corporation	510	SOLITH - SOVEMA GROUP S.P.A.	208
CAMX Power	704	Thermal Hazard Technology	302
Chroma Europe	100	Umicore	101
CLEANTRON Cleantech Batteries	310	Unifrax I LLC	508
Digatron Power Electronics	301	Venator	304
Elkem	309	Voltaiq	103
Engineered Materials Solutions – Pending Agreement		Webasto Charging Systems, Inc.	705
	507	Wildcat Discovery Technologies	404
FEV Europe GmbH	703		
Freudenberg Sealing Technologies GmbH&Co.KG	306		
Haikutech Europe BV	509		
HIOKI EUROPE GmbH	102		
Hitachi High-Technologies Europe GmbH	406		
JSR Micro	608		
Maccor, Inc.	501		
Math2Market GmbH	503		
MEET Battery Research Center	303		
Morgan Advanced Materials - Thermal Ceramics	205		
Munters GmbH	104		